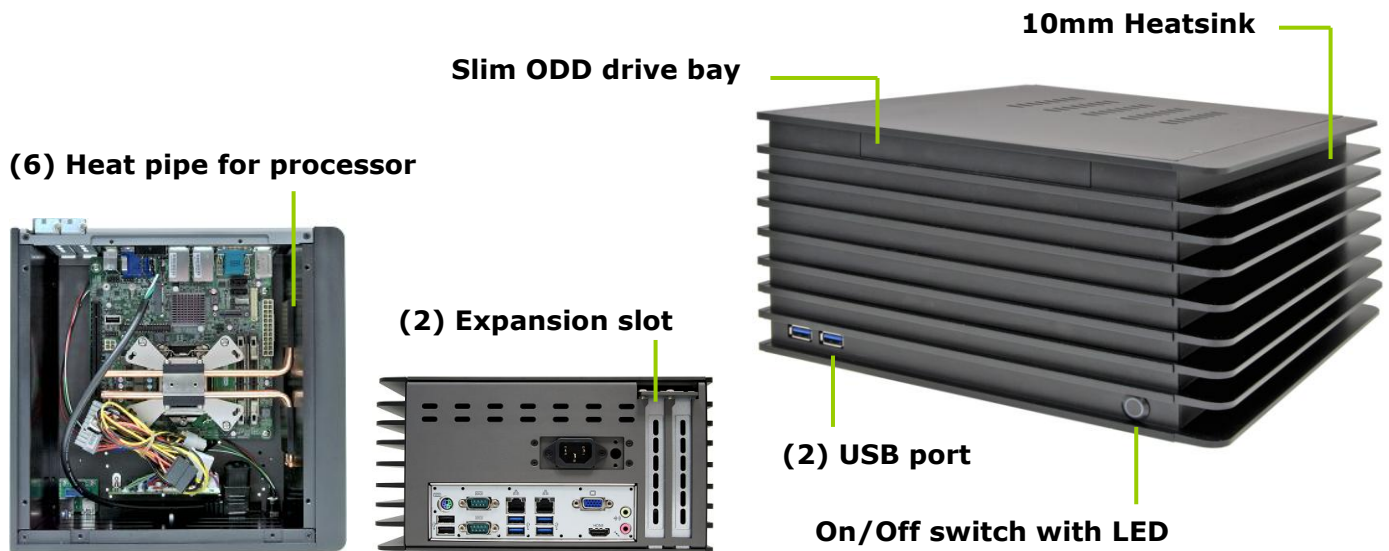




Industrial Fanless Chassis with 3 drive bays, support Mini-ITX motherboard



Introduction

The **PFC-203M** is a solid sturdy looking aluminum fanless chassis designed for high heat dissipation. It is constructed of Aluminum casing with Black, Silver and Dark Gray sandblasted finish. Heat Dissipation by heat pipes and heat sinks, supports standard Mini-ITX motherboard. It can accommodate (1) external slim ODD, and (1) 3.5" + (1) 2.5" internal drive bays.

The 2.5mm thickness aluminum with 10mm heat sink on the side provide maximum heat conductivity and superior rigidity.

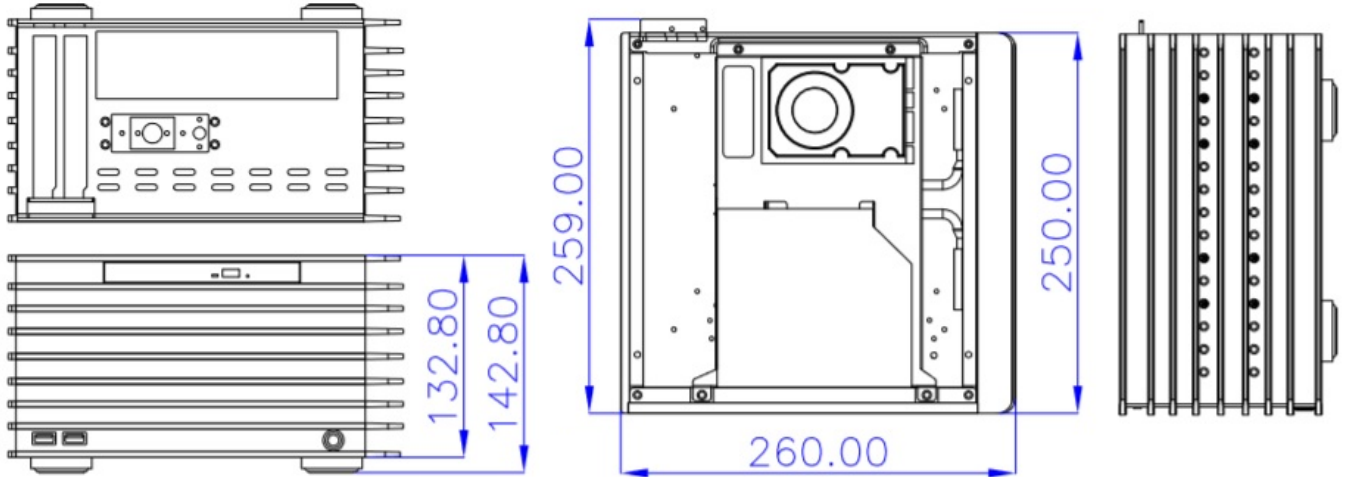
Features

- All aluminum for max. heat dissipation
- 2.5mm thickness for front, rear and top panels, and 10mm for side heat sink
- Support Mini-ITX motherboard
- (1) Slim ODD + (1) 3.5" + (1) 2.5" bays
- (2) front panel USB 3.0
- (6) Ø6mm solid copper pipes
- (2) Full-height expansion slot





Mechanical Drawing



Construction

- All aluminum

Color

- Black / Silver / Dark grey – Sandblast finish

Board Support

- Mini-ITX

Drive Bay

- (1) Slim ODD + (1) 3.5" + (1) 2.5" bays

Expansion

- (2) Full height expansion slots
(Riser card required – not included)

Power Supply

- Flex ATX or Nano PSU

Cooling System

- (6) Solid copper heat pipes
- Recommended CPU TDP 65W
(max. TDP 95W with adequate airflow)

I/O Port

- (2) USB 3.0 or USB 2.0 (by cable selection)

Switch

- Power On/Off on front panel

Indicator

- Power On/Off with integrated LED

Operating Temperature

- 0~60°C

Net Weight

- 4.5kg / 9.93lbs

Dimension (W x D x H)

- 260 x 250 x 132.8mm
- 10.23 x 9.83 x 5.23inches

Ordering Information

PFC-203M-BLK	Fanless chassis for Mini-ITX motherboard with (2) expansion slots. Black color
PFC-203M-GRY	Fanless chassis for Mini-ITX motherboard with (2) expansion slots. Grey color
PFC-203M-SIL	Fanless chassis for Mini-ITX motherboard with (2) expansion slots. Silver color